

The logo for KEYA, featuring the word "KEYA" in a stylized, white, sans-serif font. The letters are interconnected, with the 'K' and 'E' sharing a vertical stroke, and the 'Y' and 'A' sharing a vertical stroke. A registered trademark symbol (®) is located at the top right of the 'A'.

UNLOCK INNOVATION

A series of thin, white, curved lines that sweep across the page from the bottom left towards the top right, creating a sense of motion and depth. The lines are more densely packed in some areas, creating a gradient effect.

ELOCK **PRO**



Multuser mode

1

To close:

* * * * ✓

+

TURN THE KNOB MANUALLY

To open:

* * * * ✓

LOCK OPENS AUTOMATICALLY

Open and close by 4-digit code. The code is deleted every time the lock is opened, being available for new user.

Single User mode

2

To open:

* * * * ✓

LOCK OPENS AUTOMATICALLY

To close:

✓

+

TURN THE KNOB MANUALLY

Open and close by 4-digit code. The code is set for 1 user only.

Change the User code

3

press during 3 seconds

CURRENT Code

NEW Code

Press Enter key during 3 seconds.
 Introduce Current code and press Enter.
 Introduce New code and press Enter.

Open using Master code: Inspection mode / Delete User code

4

To open:

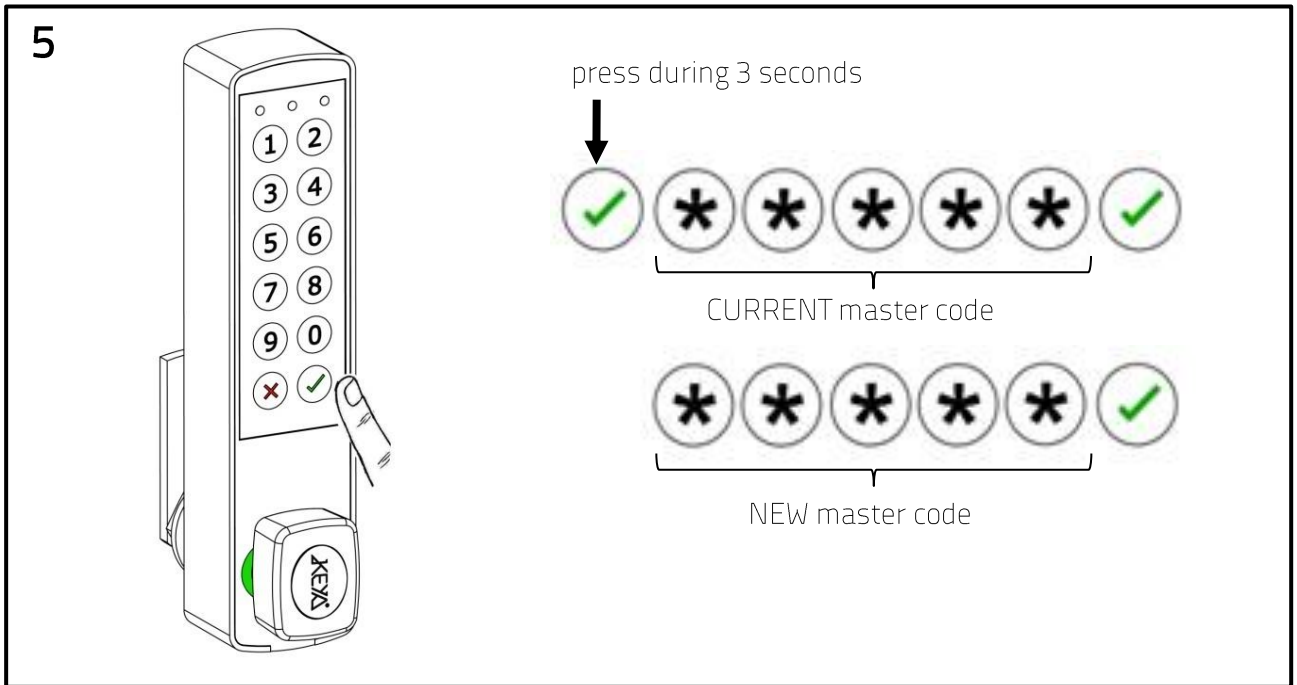
MASTER code

-30s INSPECTION MODE	+30s USER ERASED
----------------------------	------------------------

INSPECTION MODE
 Introduce Master code and press Enter.
 Close the lock by pressing Enter before 30s.
 The User code is not deleted.

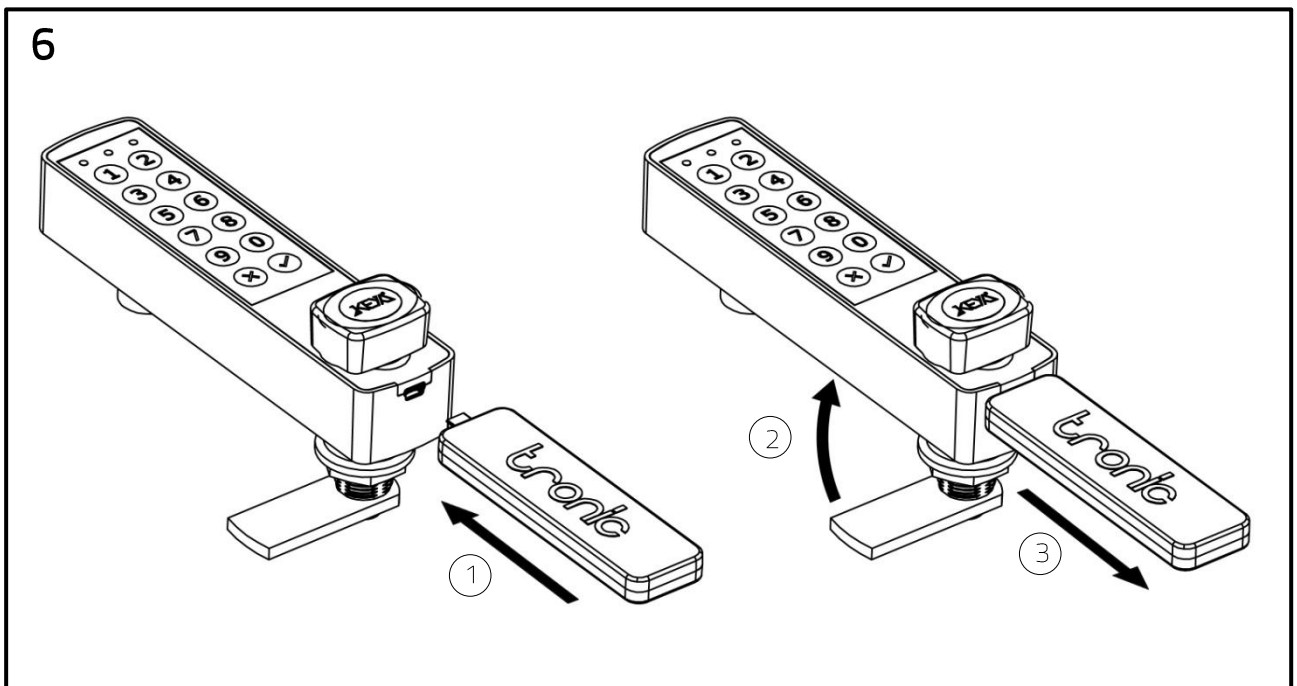
DELETE USER CODE
 Introduce Master code and press Enter.
 After 30s. the lock remains opened.
 The user code has been deleted and a new User code will be required to close the lock again.

Change the Master code



Press Enter during 3 seconds.
 Introduce Current code and press Enter.
 Introduce New code and press Enter.

Open using electronic Master key: Inspection mode/ Delete User code



INSPECTION MODE
 Connect the Master key (BLUE).
 Lock opens.
 Remove electronic key.
 Press Enter before 30 seconds and turn the knob (for close)
 User code is not deleted.

DELETE USER CODE
 Connect the Master key (BLUE).
 Lock opens.
 Remove electronic key.
 After 30 seconds the User code will be deleted.
 A new user code will be required to close the lock again.

Programmable settings (management software and cable required)

AUTOMATIC OPENING TIME:

The lock will open automatically at the programmed time:

- hh : mm
- Mon, Tue, Wed, Thu, Fri, Sat, Sun
- Working days
- Two options: Leave door open.
Close door again.

ACOUSTIC SIGNAL VOLUME:

- High / Low / Off

LED INDICATION OF CLOSED POSITION:

- On / Off blinking red LED when locker is closed.

CODES:

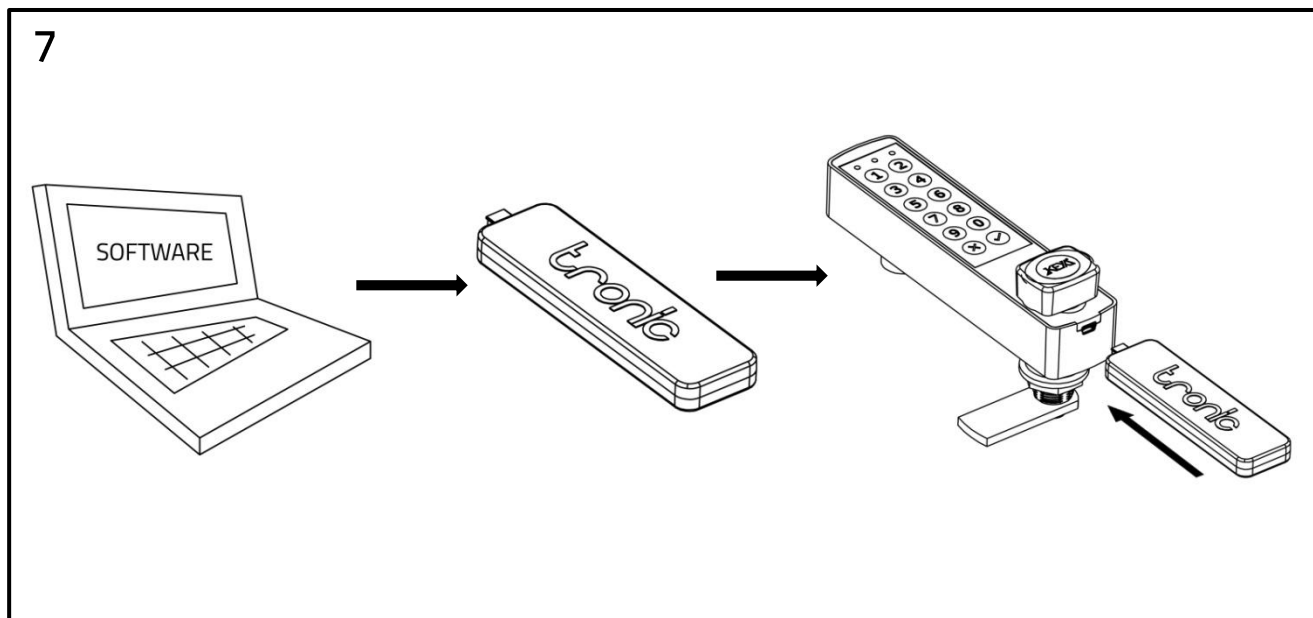
- User / Master

LAST EVENTS

BATTERY LEVEL

N° OF OPERATIONS

Setting key

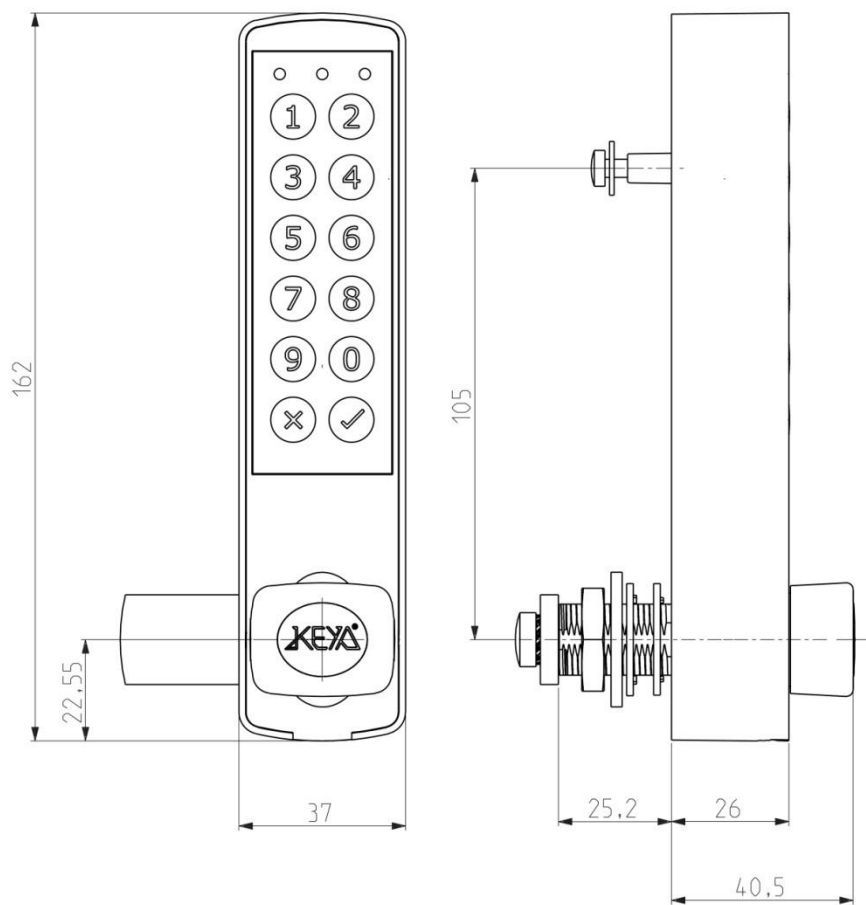


Load settings from the computer to the settings key (BLACK).

Connect settings key to the lock.

The settings will be automatically transferred to the lock.

Measurements



Technical specifications

Salt spray test	> 96h
Working temperature	-5 °C <> +70 °C
IP	IP 65 (optional)
Latch force	> 45Kgf
UV Rays	> 10000h
Vibration	10 - 200 Hz 2g
Life test	> 200000 cycles
Electrostatic discharge	8000 V
Battery life	> 35000 cycles



IMPORTANT: The batteries replacement must be done in less than 5 minutes. The BATPACK must remain connected during the release of the batteries (otherwise the clock will loose the programmed time).



Management System
ISO 9001:2008

www.tuv.com
ID 9105066651

