

The logo for KEYA, featuring the word "KEYA" in a stylized, white, sans-serif font. The letters are interconnected, with the 'K' and 'E' sharing a vertical stroke, and the 'Y' and 'A' sharing a vertical stroke. A registered trademark symbol (®) is located at the top right of the 'A'.

UNLOCK INNOVATION

The background is a solid blue gradient. On the right side, a series of thin, white, curved lines radiate from the top right towards the center, creating a sense of motion and depth. At the bottom, a series of thin, white, wavy lines curve across the width of the page, adding a dynamic, organic feel to the design.

COVERK



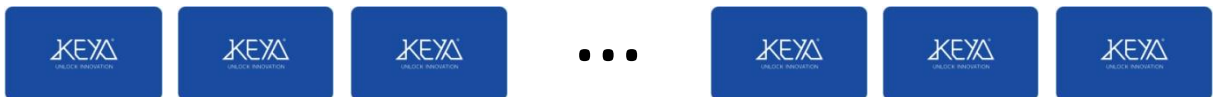
MANAGEMENT CARD



MASTER CARDS



USER CARDS



Cards and fuctions



MANAGEMENT CARD:

Functions: Create and Delete Master cards.
Allow read lock status and events.



MASTER CARD:

Functions: Create / Delete User cards (Single user only).
Inspection opening mode
Delete User cards.
Reset User cards (back to blank function).



USER CARD:

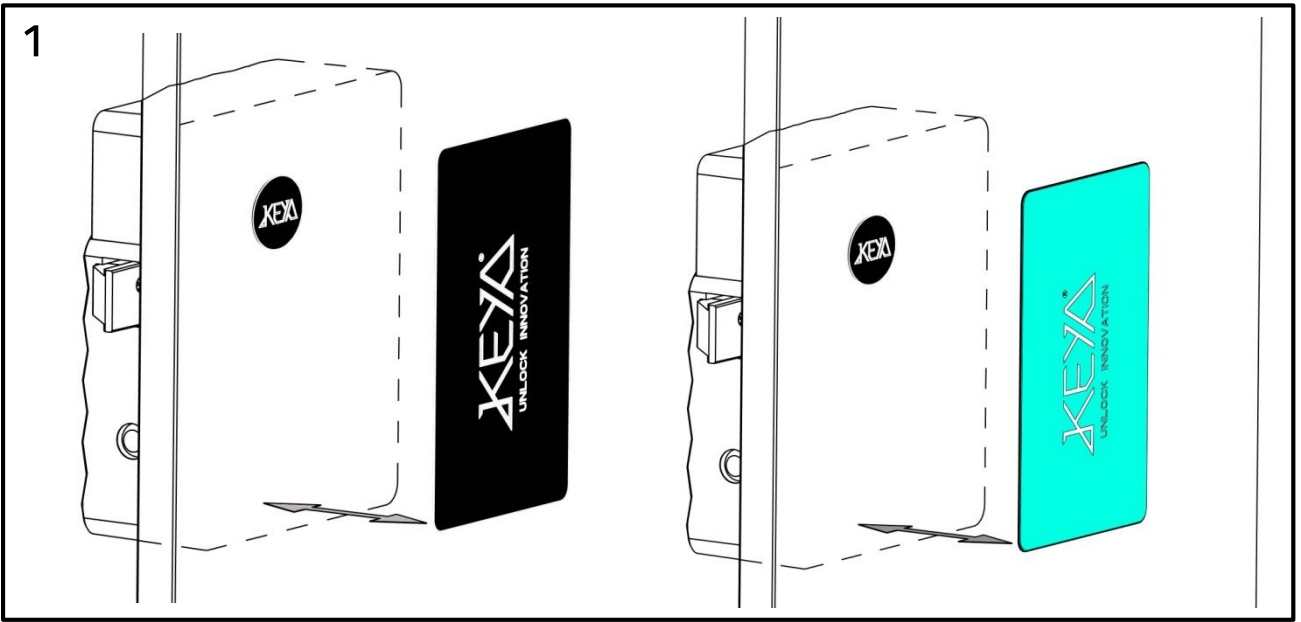
Functions: Open / Close



SETTINGS CARD:

Functions: Read / Transfer parameters from software to the locks.
Modes: Multiuser / Single user
Acoustic signals
Automatic opening times
Read lock status and events.

Create and delete Master cards



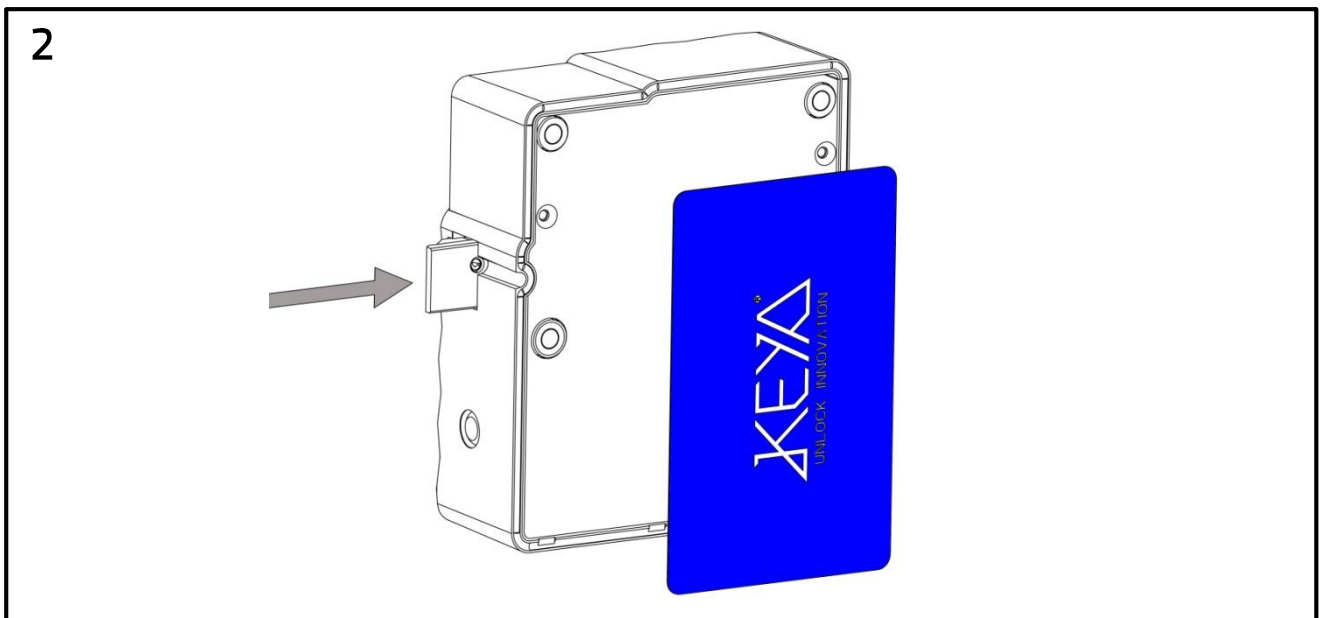
CREATE:

Approach the Management card followed by the new Master card (Up to 5 per lock)
 Long beep = Master card created successfully.
 3 short beeps = Master card not created.

DELETE:

Approach the Management card followed by the Master card.
 3 short beeps = Master card deleted.

Multiuser / Single user: Open and close

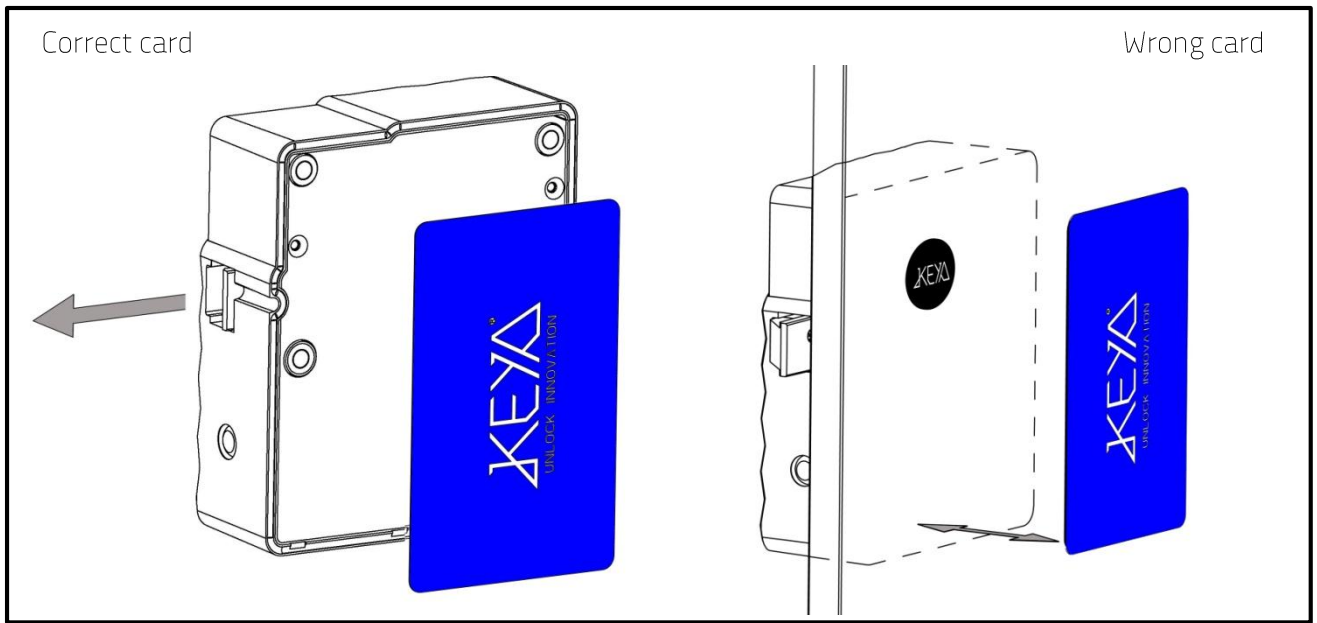


MULTIUSER

Approach the User card

SINGLE USER

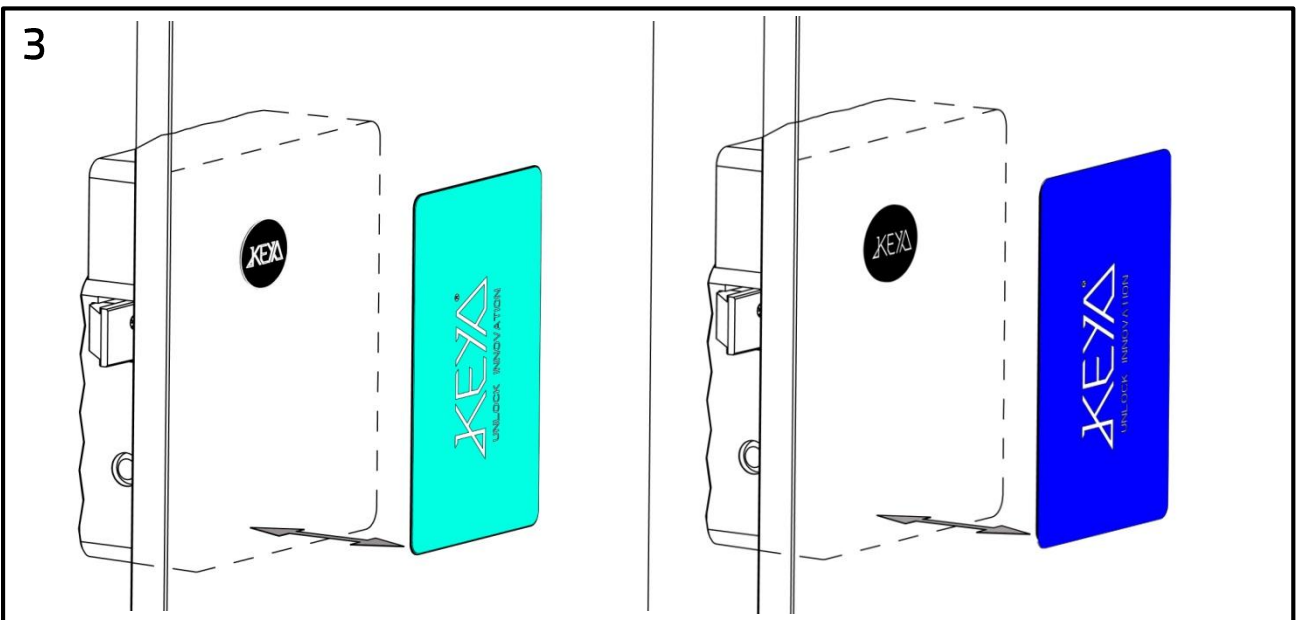
Approach the assigned User card to open the lock.
 After 2 seconds the latch closes automatically.



OK: 1 long beep.

Not OK: 3 short beeps

Create and delete User cards (only for single user mode)



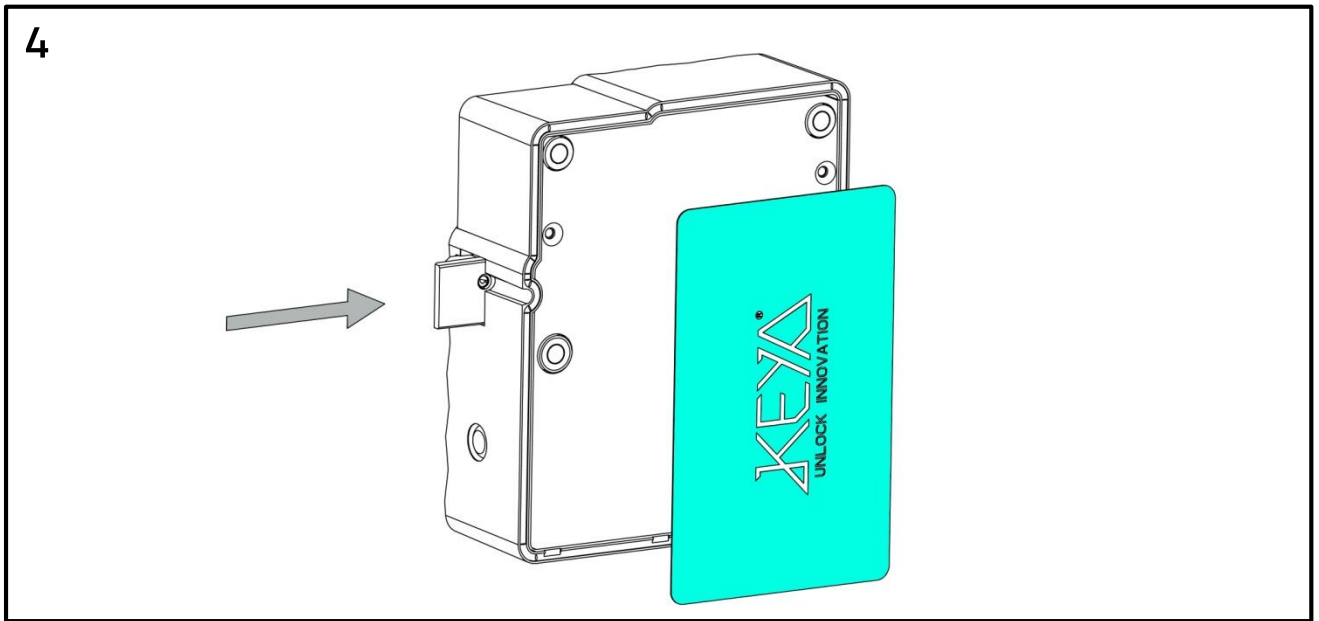
CREATE:

Approach the Master card followed by the new User card (Up to 50 per lock).
 Long beep = User card created successfully.
 3 short beeps = User card not created.

DELETE:

Approach the Master card followed by the User card.
 3 short beeps = User card deleted.

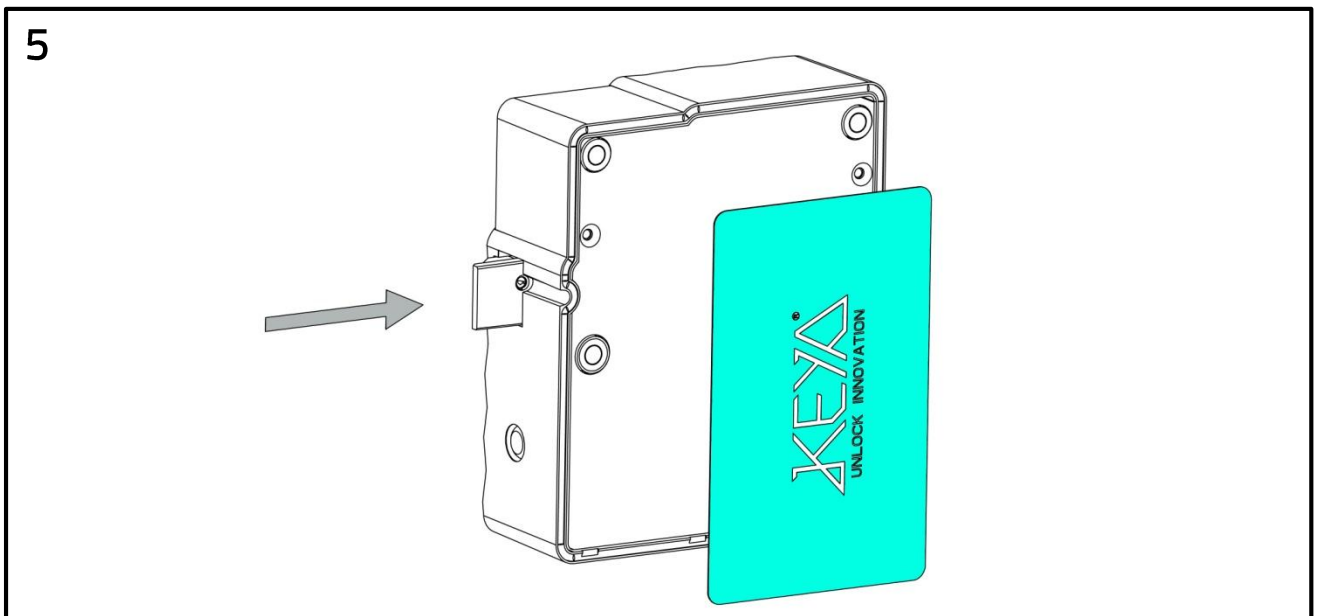
Inspection opening mode



INSPECTION MODE

Approach the Master card (1 time) and wait 5 seconds.
After a long beep the lock will open during 30 seconds (Inspection time).
After inspection time the lock will close (User card is not deleted)

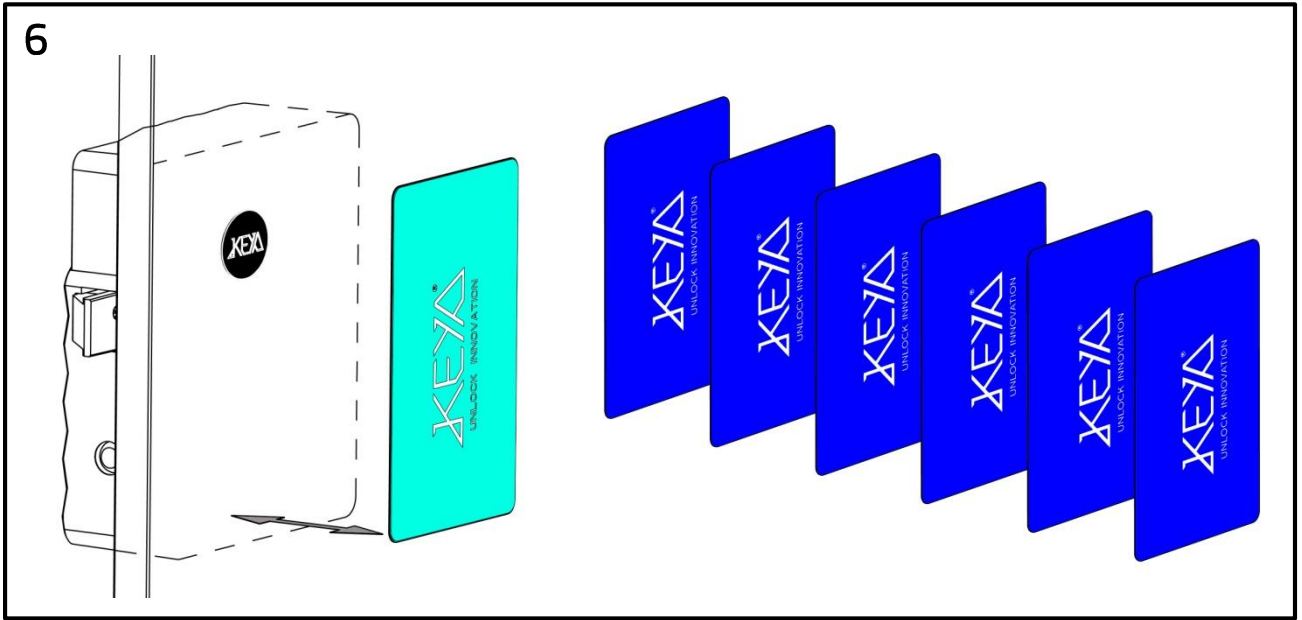
Open using Master card: Deleting last User card



DELETE USER CARD

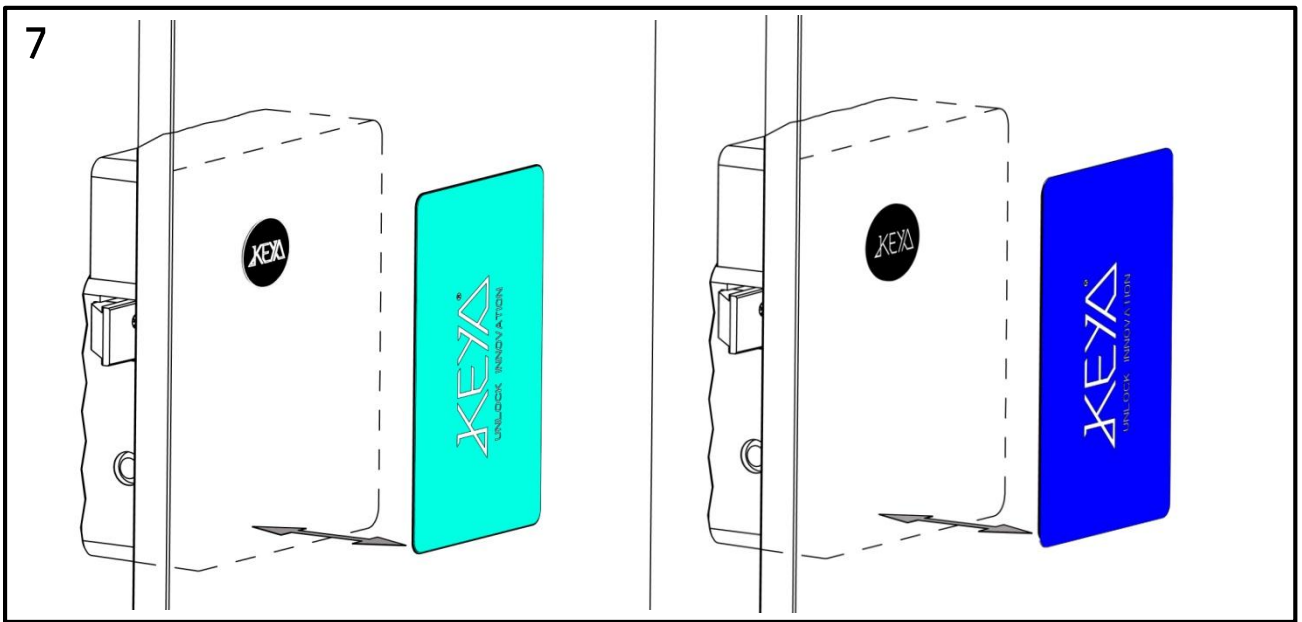
Approach the Master card (2 times) and wait 5 seconds.
After a long beep the lock will remain opened (The last User card is deleted).

Unassign all user cards (only for single user mode)



Approach the Master card (4 times)
All User cards of this lock have now been unassigned.

Reset User cards (back to blank)



Approach the Master card (5 times) followed by the User card.
Long beep = User card reset (blank card).
This card will be available to be used by a new user.
Note: This card is now blank and it can be assign again.

Information management software.



Integrated technology

Mifare Classic 1K / 4K
DESFire EV1



Installation control

Locker management system
Single / Multi-user modes
Timing control
 Automatic opening
 Limited time of use
Acoustic signal (High / Low / Off)



Security

Master / Inspection card
Events log
Operations counter



User interface

Reader / Table-top programmer
On-the-wall information terminal
Card management system (User / Master / Settings)
Timer for user cards

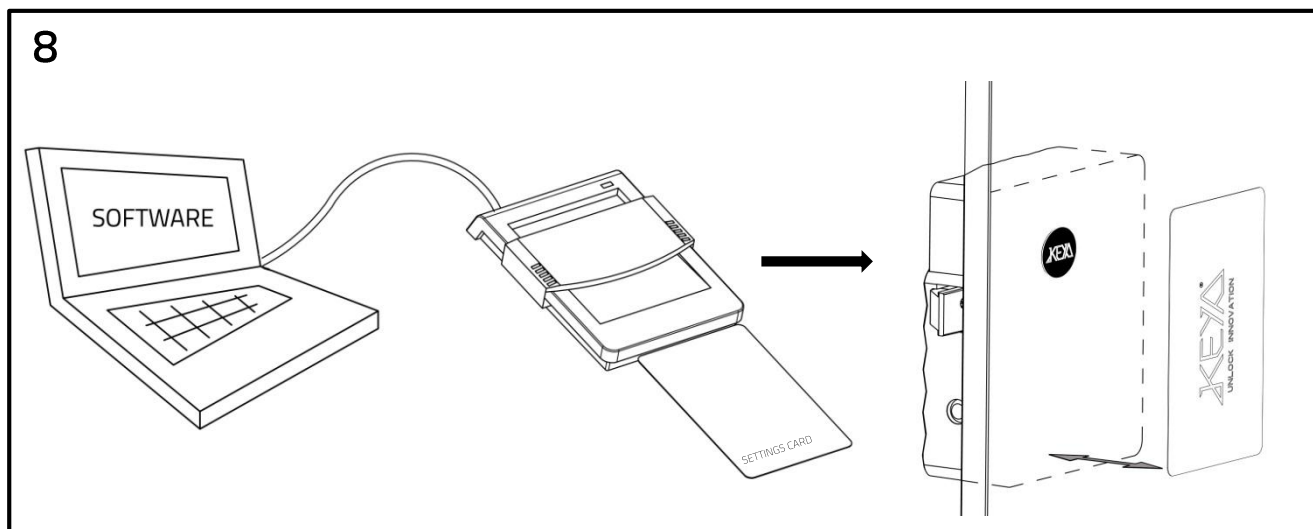


Maintenance

Reading of lock status
Cycles indicator (30000 cycles)
Battery level indicator (2 x CR123A batteries)
Settings card

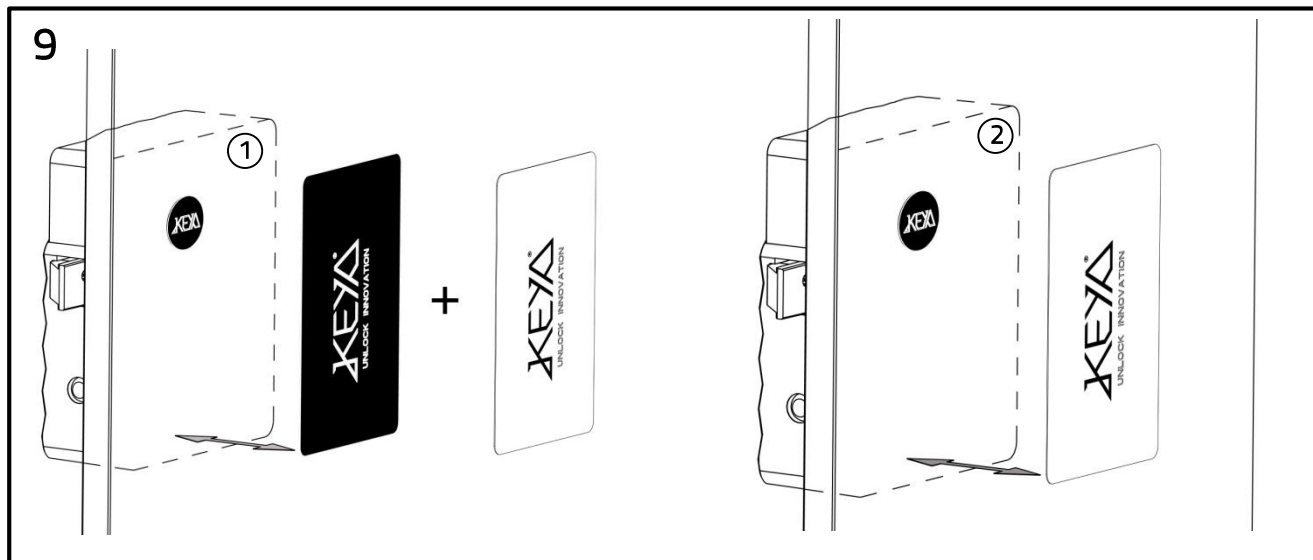
To learn how to use the software you can request software instructions and training.
info@keya.cat

Settings card



- 1- Load settings from the computer to the Settings card (white colour).
 - 2- Approach the Settings card to the lock.
- The settings will be automatically transferred to the lock.

Copy Parameters



- 1- Approach the Management card to the lock 1 followed by the Settings card. The Parameters of the lock are transferred to the card.
- 2- Approach the Settings card to the lock 2. The parameters of the lock 1 are transferred to the lock 2. Including the time.

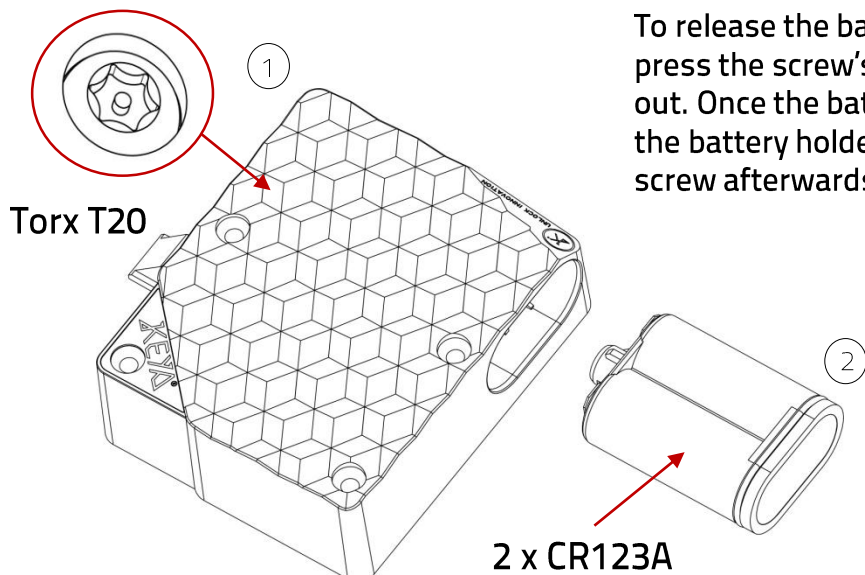
IMPORTANT

The Management / Master cards are configured for a single installation.

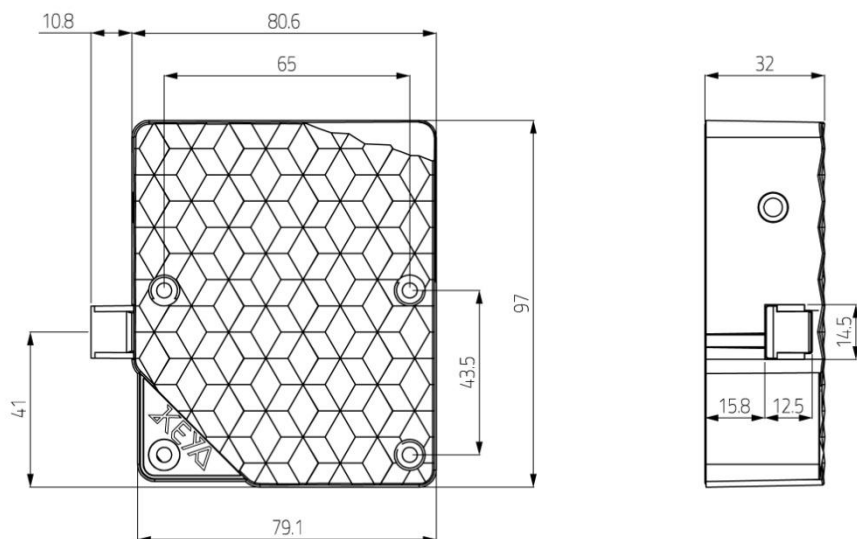
Batteries replacement

IMPORTANT:

To release the battery holder , unscrew it and press the screw's head till the battery holder rises out. Once the batteries have been replaced, push the battery holder at its final location fixing the screw afterwards.



Measurements



Technical specifications

| | |
|-------------------------|-------------------|
| Salt spray test | > 96h |
| Working temperature | -5 ° C <> +70 ° C |
| IP | IP 65 |
| Latch force | > 45Kgf |
| UV Rays | > 10000h |
| Vibration | 10 - 200 Hz 2g |
| Life test | > 200000 cycles |
| Electrostatic discharge | 8000 V |
| Battery life | > 30000 cycles |



RoHS



Management System
ISO 9001:2008

www.tuv.com
ID 9105066651

